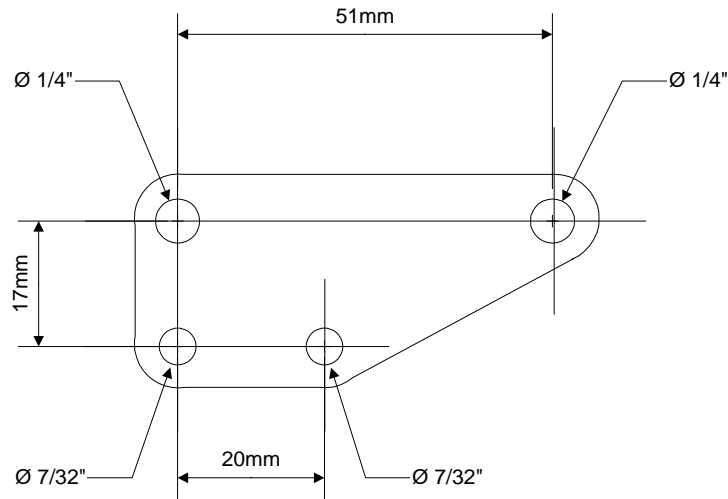


1:1 Drilling/Punch
Template

AL 6061-T6 Blank
2.5" x 1.125" x 0.375"



Use with MAGURA QM9
- ISH203 Rear Caliper
Adapter for 160mm
CRUZBIKE Rear Disc



CRUZBIKE *SpeedShop North America*

Rear Disc Brake Caliper Adapter
CRUZBIKE Sofrider, Freerider 2.1+, VK2

SIZE	DATE	DWG NO	REV
A	10 Feb 2010	SRV2BRADPT1.0	1.0
SCALE	1:1	D. Burton	SHEET 1 OF 1